

6TH REGIMENTAL COMBAT TEAM



REGENSBURG STRAUBING

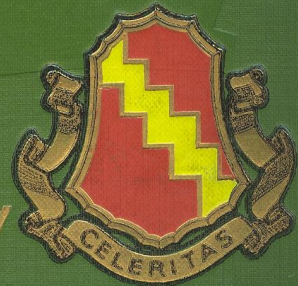
LANDSHUT

MUNICH

DANUBE



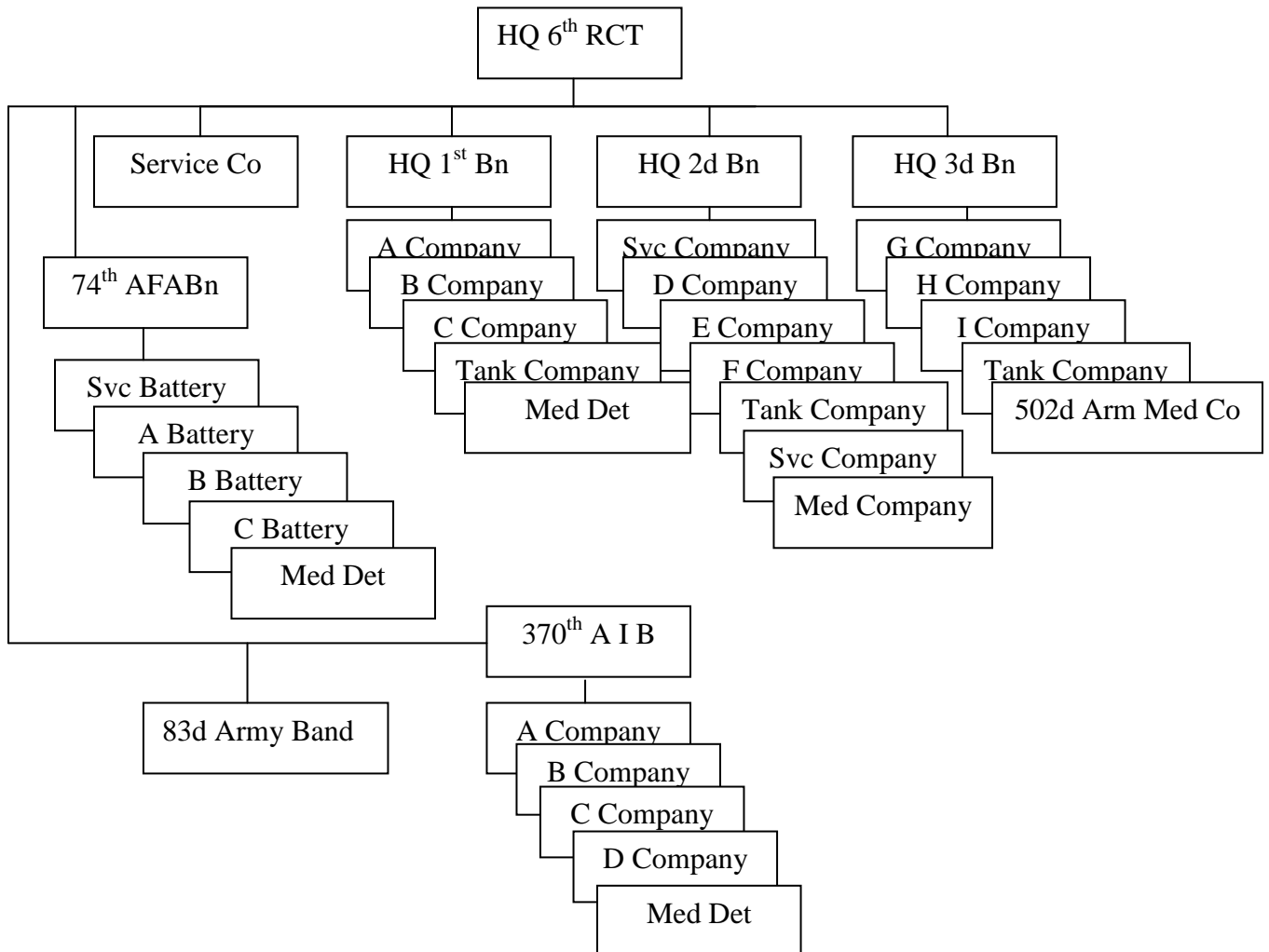
1953 GERMANY



The Sixth Cavalry Regimental Combat Team

The 6th Cavalry Regiment, with the 370th Armored Infantry Battalion and the 74th Armored Field Artillery Battalion, were the key units in the Sixth Regimental Combat Team in Germany in the early 1950s. The 6th Cavalry and the 74th AFAB were associated with the Constabulary after World War II. Starting in January 1944 the War Department had broken up the 6th Cavalry, formed in 1861 for the Civil War, and in May 1946 the surviving units became the 6th and 28th Constabulary Squadrons, and in December 1948 these units were converted and redesignated the 6th Armored Cavalry Regiment. From then until 1953 the Sixth RCT served in southern Germany, around and south of the Danube River.

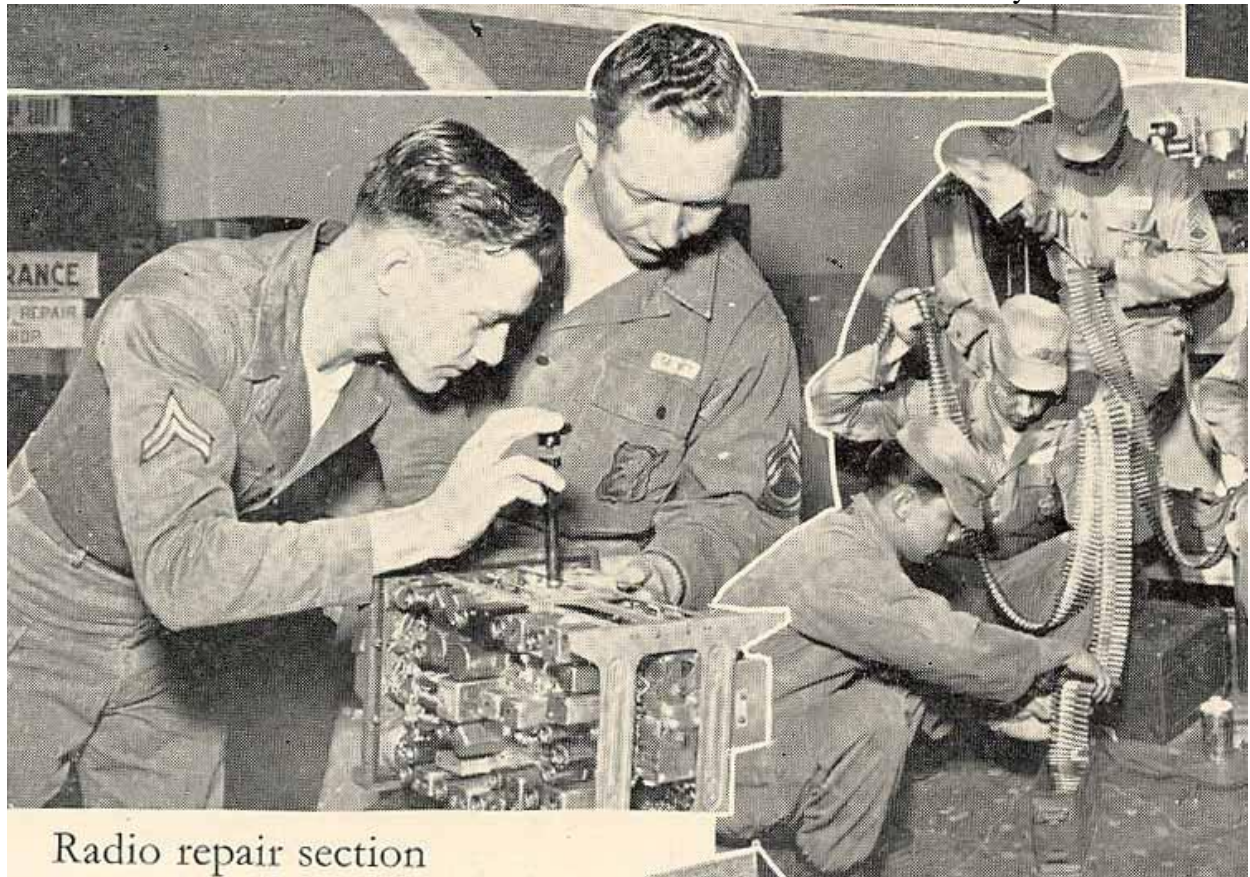
The 74th AFA Battalion traced its lineage from the 2d Bn, 18th Field Artillery that the army organized in 1917. It went to England in December 1944, was deactivated at Fort Jackson in October 1946, and was reactivated from members of the 27th Constabulary Squadron in Landshut, Germany, on December 15, 1948. The 370th Infantry was initially part of the 92d Division and served in Italy during 1945, then was deactivated at the end of that year. Redesignated the 370th AIB in July 1951, it was assigned to the 6th RCT. The 6th Cavalry's 1953 organization is described in a yearbook whose cover is shown above. The organization of the 6th RCT is summarized below, including an interesting point that some units had medical companies and others had detachments.





Photos in the yearbook show a range of 1953 headgear and insignia. Shoulder patches were of the Seventh Army but those soldiers in the 6th Cav also wore their unicorn patch on the left pocket of fatigue uniforms. One picture has two of three soldiers wearing helmet liners with yellow and blue stripes similar to those worn by the constabulary, but with a 6th Cavalry insignia on the front. Although the two-inch wide combat chevrons had just gone out the

previous year, and regulations allowed them to continue to be worn, virtually all soldiers shown wear the 1952 three inch chevrons that lasted until the introduction of the Army Green Uniform.



Radio repair section

